

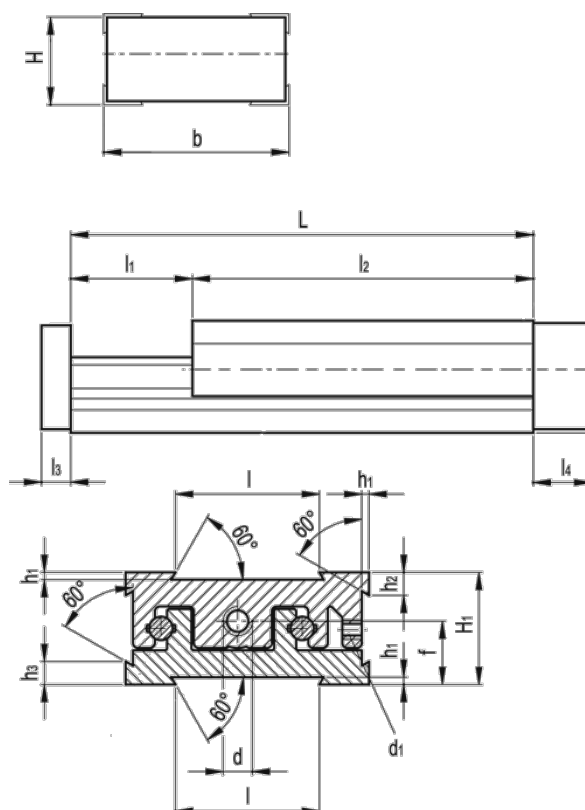
Data Sheet



Article number: 20782022

Description: Adjustable slide unit
GN 900-80-195-75-S-1

Measures



$b = 80$	$h3 = 10.0$
$d = M8 \times 1$	$l = 50$
$d1 = M5$	$L - l1 = 195-75$
$f = 20.5$	$l2 = 120$
$H = 35.5$	$l3 = 8$
$h1 = 2.0$	$l4 = 16$
$H1 = 36$	
$h2 = 10.0$	